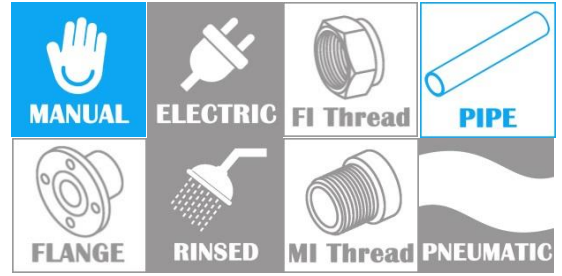
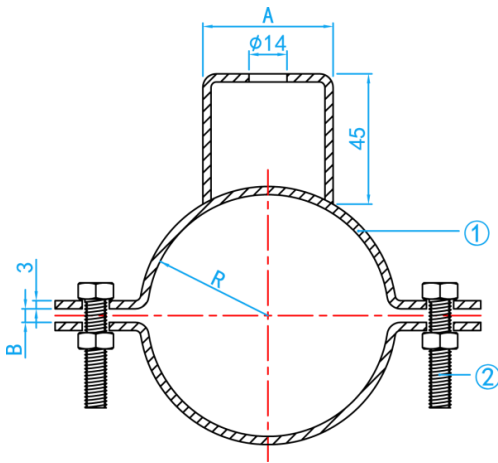


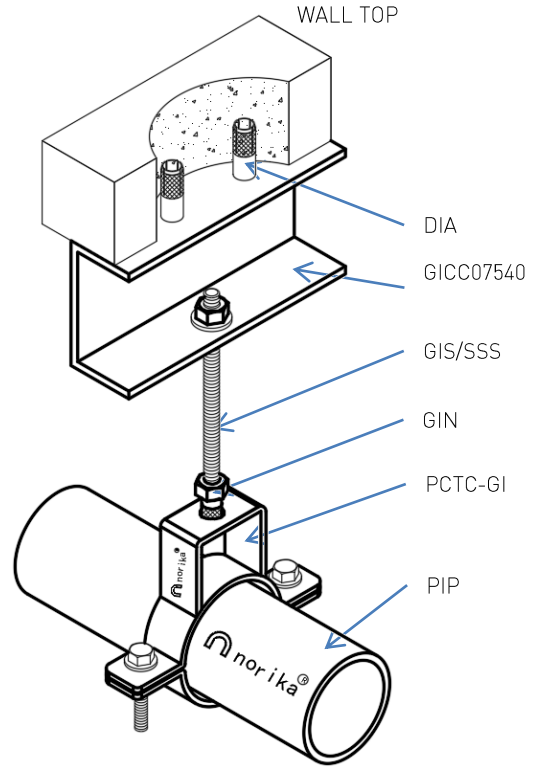
PIPE CLAMP C/W HOT DIPPED GALVANIZED



* Applicable for 1/2" stud rod



CROSS SECTION VIEW



COMPONENT PARTS

ITEM	PARTS	MATERIAL
1	Clamp	Hot Dipped Galvanized
2	Bolt	Galvanized Iron

DIMENSIONS

SKU	SIZE (mm)	A (mm)	B (mm)	R (mm)	WEIGHT (Kg)	PCS/CTN
PCTC050GI	50	48	10	32	0.265	50
PCTC065GI	65	48	10	39	0.286	50
PCTC080GI	80	48	10	46	0.311	50
PCTC100GI	100	70	7	58	0.367	50
PCTC150GI	150	85	10	85	0.460	50
PCTC200GI	200	100	9	110	0.563	50
PCTC250GI	250	100	9	137	0.659	50
PCTC300GI	300	100	9	163	0.756	-